

SCHOOL BUS STATISTICS

DOCUMENT NUMBER: 02300

APPLICATION: ELEMENTARY, MIDDLE AND HIGH SCHOOL

DATE OF ISSUE:

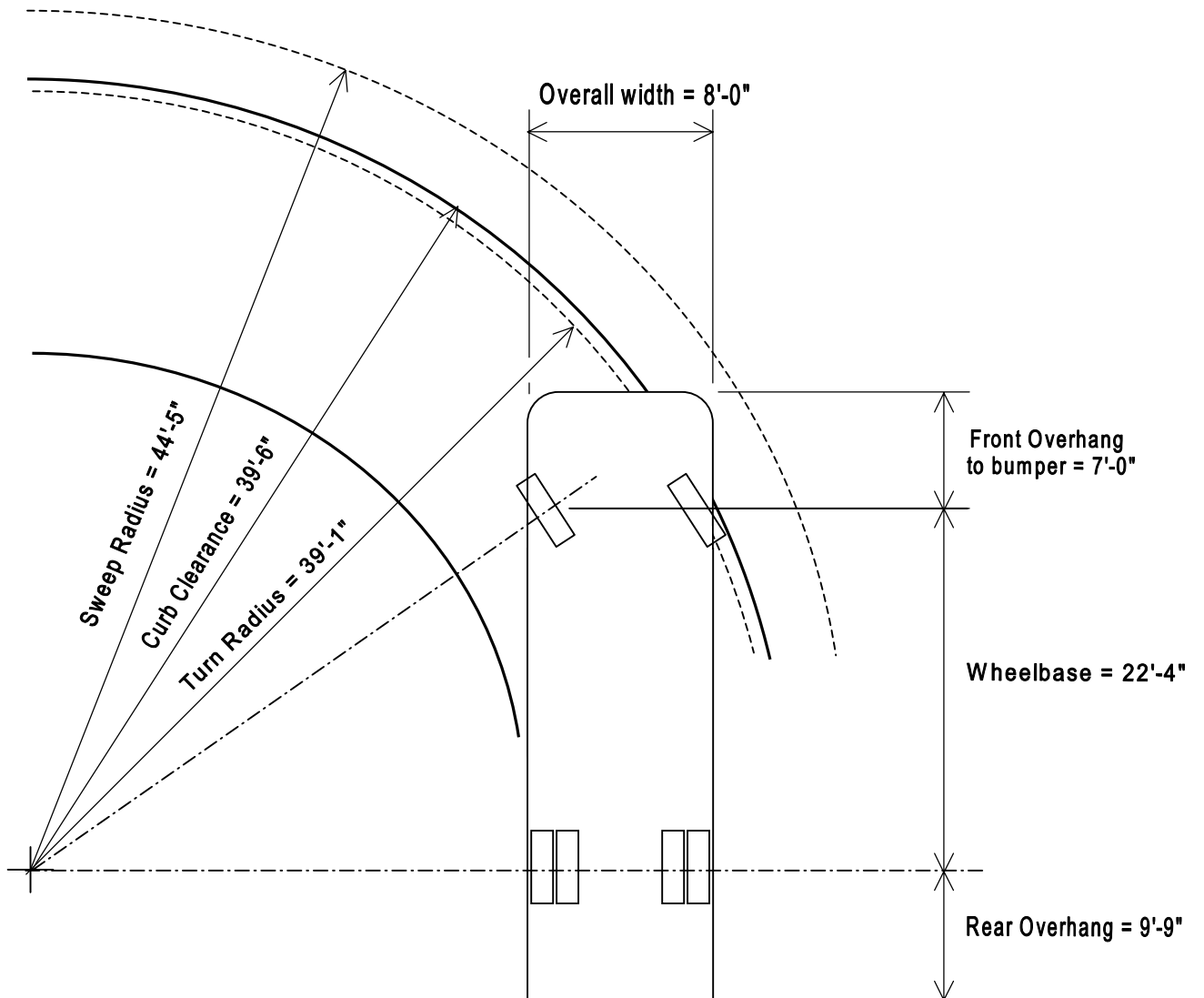
01-17-02 - First issued

NOTES:

The attached diagram shows the statistics for the largest buses used on HCSB campuses. All new bus drop off areas are to comply with the requirements herein.

ATTACHMENTS:

None



BODY MODEL: 140HS

| Height | Passengers | Window Sections | Wheelbase | Body Length | Curb Clearance | Turning Radius | Sweep Radius | Rear Sweep |
|--------|------------|-----------------|-----------|-------------|----------------|----------------|--------------|------------|
| 10'-6" | 84 | 14 | 22'-4" | 39'-1" | 39'-6" | 39'-1" | 44'-5" | 1'-3" |