

SHADE HOUSE DETAILS

DOCUMENT NUMBER: 10100

APPLICATION: MIDDLE AND HIGH SCHOOL

DATE OF ISSUE:

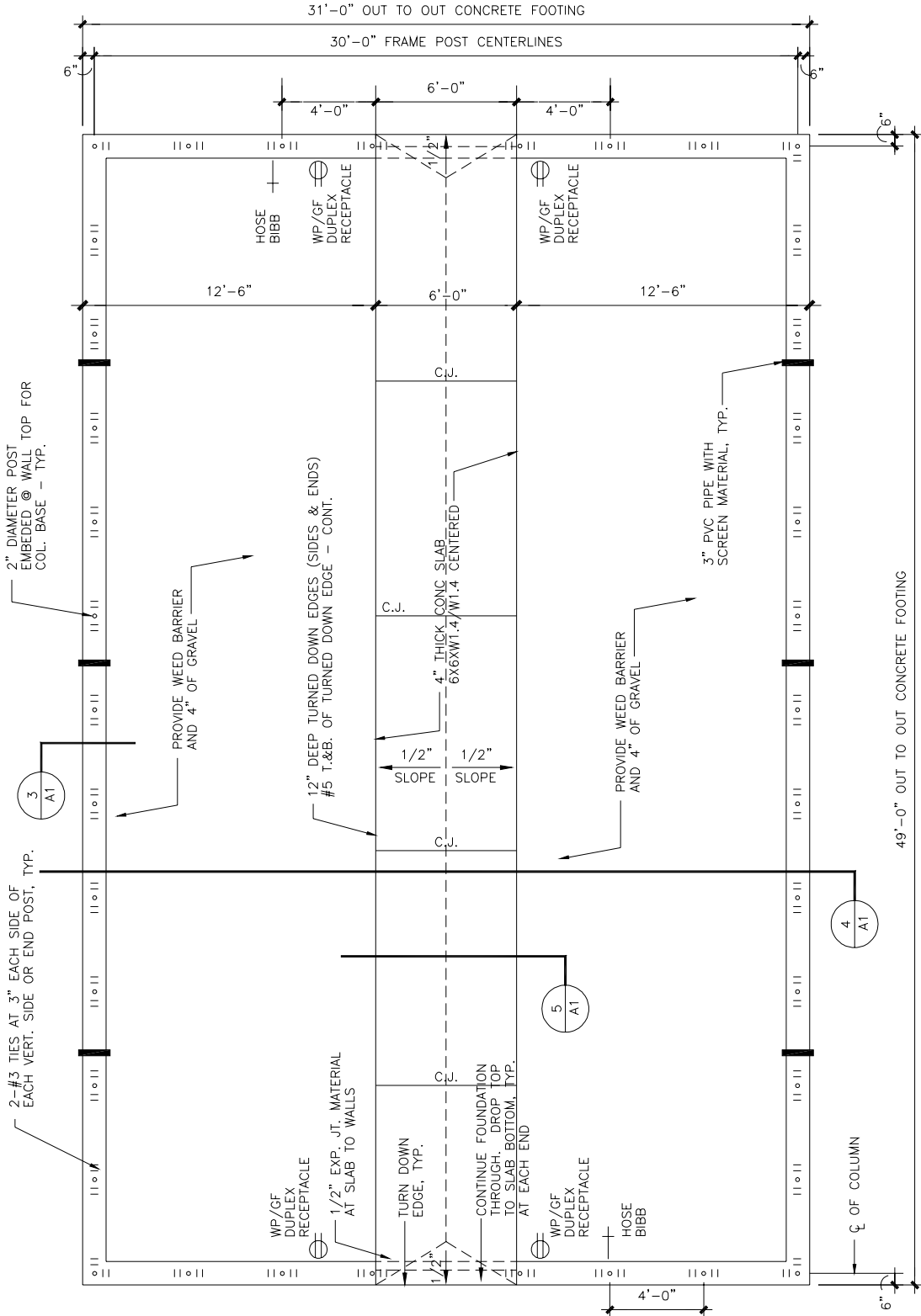
09-23-01 - First Issue

NOTES:

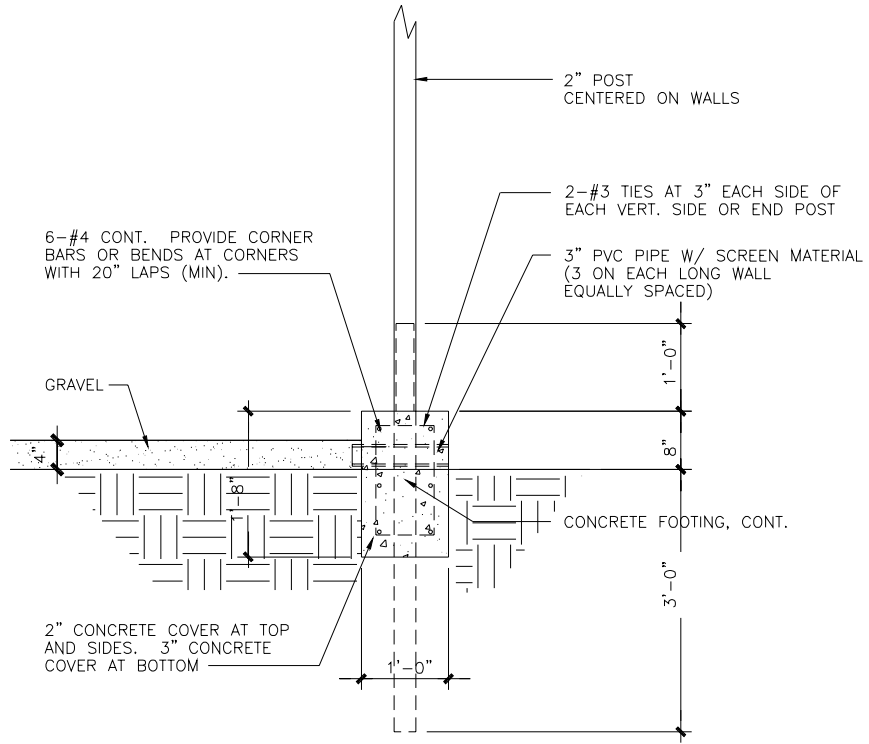
Acceptable Manufacturers include, but are not limited to:

Structure Unlimited
2122 Whitfield Park Avenue
Sarasota, FL 34243

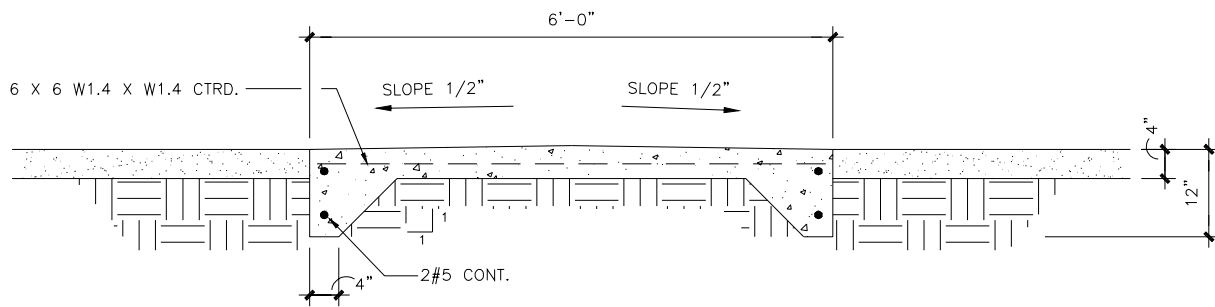
Other manufacturers will be considered if deemed equal by the architect.



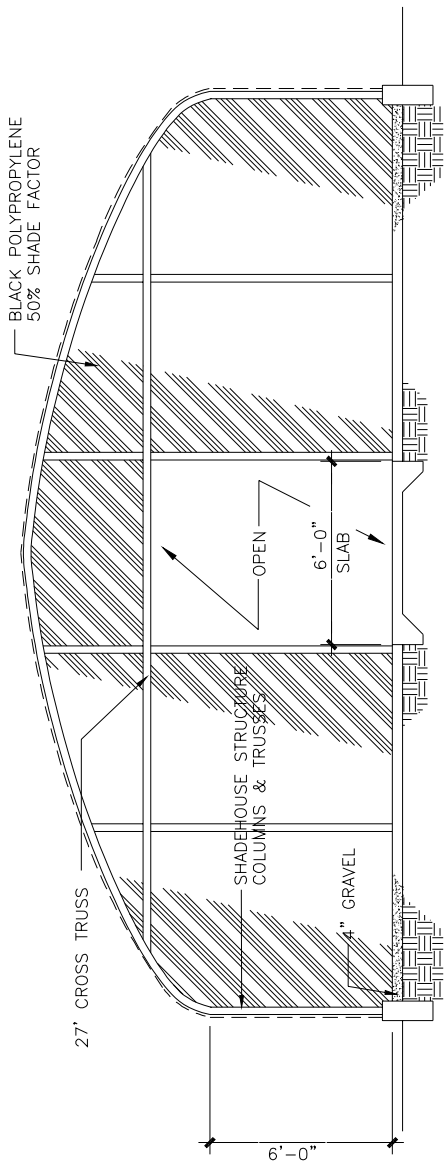
1 FOUNDATION/STEM WALL/SLAB/BENCH PLAN
A1 NOT TO SCALE



3 TYPICAL SECTION AT PERIMETER WALL
A1 NOT TO SCALE

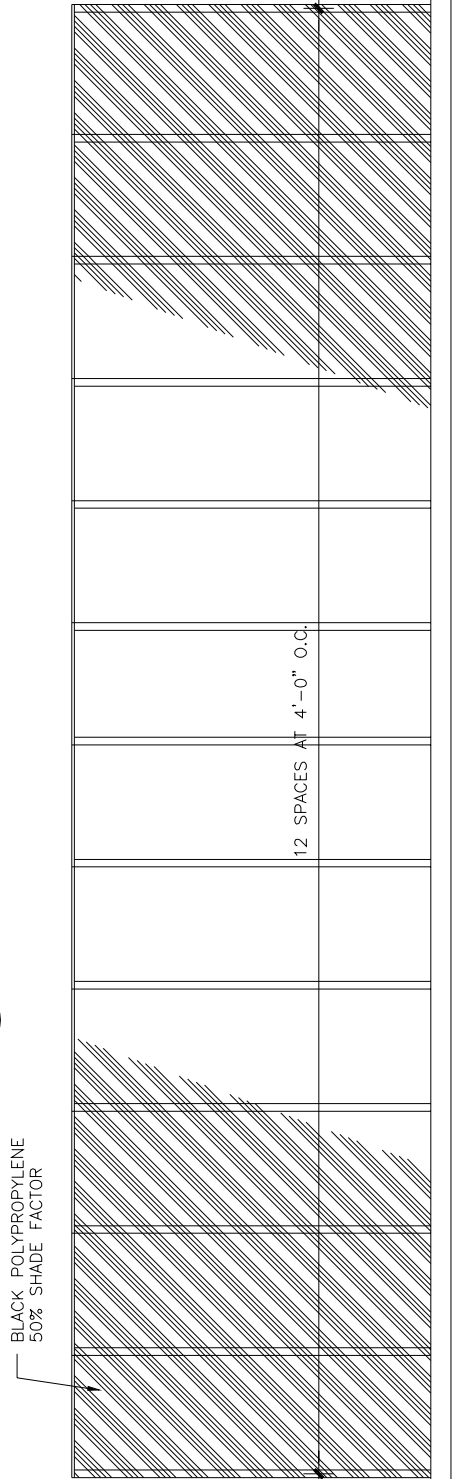


5 SECTION AT CONCRETE SLAB
A1 NOT TO SCALE



5 SHADHOUSE CROSS SECTION

A1 NOT TO SCALE



2 TYPICAL SHADHOUSE SIDEWALL ELEVATION

A1 NOT TO SCALE